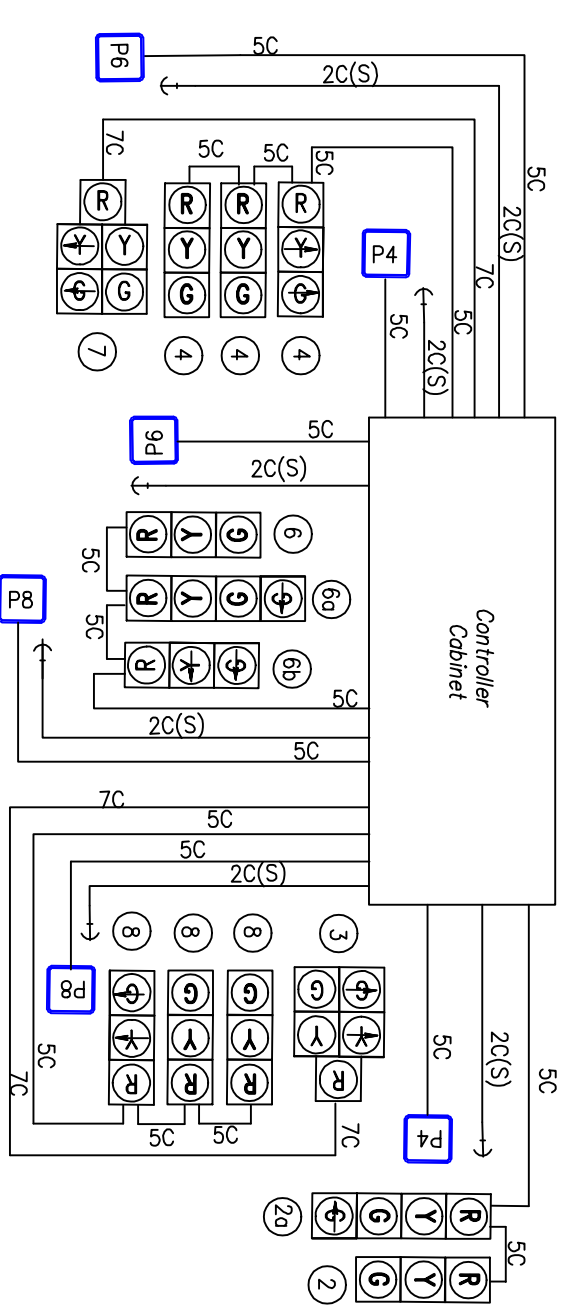


Junction Boxes, Conduit & Wiring Notes:

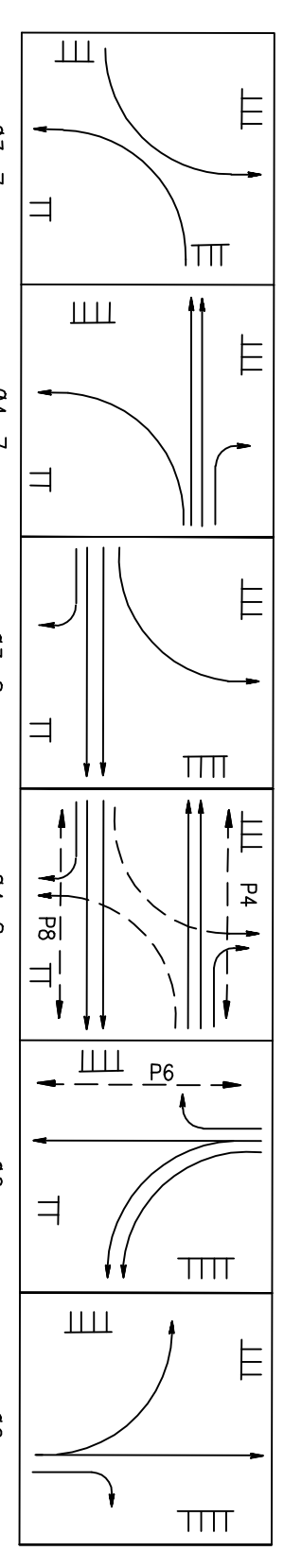
- 1-2-3" Conduits with 1-2C(S), 2-5C, 1-7C, 1-#6 EGC, 1-6 twisted pair & lighting) in the other conduit.
- 2-3" Conduits with 1-2C(S), 2-5C, 1-7C, 1-#6 EGC, 1-6 twisted pair & lighting) in the other conduit.
- 3-3" Conduits with 1-2C(S), 2-5C, 1-7C, 1-#6 EGC, 1-6 twisted pair & lighting) in the other conduit.
- 4-3" Conduits with 2-2C(S), 3-5C, 1-#6 EGC, 2-6 twisted pair & lighting) in the other conduit.
- 5-3" Conduits with 1-2C(S), 2-5C, 1-#6 EGC, 2-6 twisted pair & lighting) in the other conduit.
- 6-3-3" Conduits with 1-2C(S), 2-5C, 1-#6 EGC, 2-6 twisted pair, 1-3M detector cable, 1-12 strand/6 pair single mode fiber optic in one conduit, 1-12/3C & 1-#6 EGC (street lighting) in the second conduit, and the third conduit is a spare.
- 7-2-3" Conduits with 2-2C(S), 3-5C, 1-#6 EGC, 2-6 twisted pair & lighting) in the other conduit.
- 8-Quartzite 36"x36" PG Style junction box.
- 9-3-3" Conduits with 6-2C(S), 10-5C, 2-7C, & 1-#6 EGC in one conduit, 6-6 twisted pair, 4-3M detector cable, & 1-12 strand/6 pair single mode fiber optic in the second conduit, and 4-12/3C & 1-#6 EGC in the third conduit.
- 10-1-1/4" (M) conduit with 3-6/C for electrical service.
- 11-1B-2
- 12-1-3" Conduit with 4-12/3C & 1-#6 EGC (street lighting).
- 13-1-2" Conduit with 1-12 strand/6 pair single mode fiber optic.

Wiring Diagram for Signal Heads



All government markings applied shall be in conformance with the City of Suffolk. The Contractor shall prepare a layout plan & the plan shall be approved by the City Traffic Engineer. Please note that the City Traffic Engineer's office shall be notified 72 hours in advance of any application of government markings.

Proposed Phasing Diagram

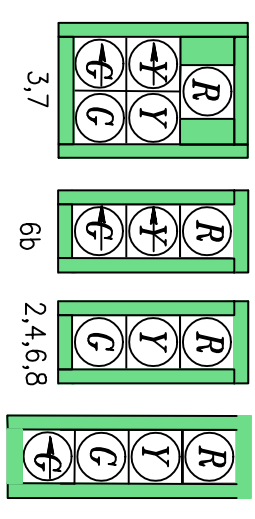


Pedestrian Heads



Signal designs for pedestrian heads shall be in accordance with the City of Suffolk. The Contractor shall prepare a layout plan & the plan shall be approved by the City Traffic Engineer. Please note that the City Traffic Engineer's office shall be notified 72 hours in advance of any application of government markings.

Signal Heads

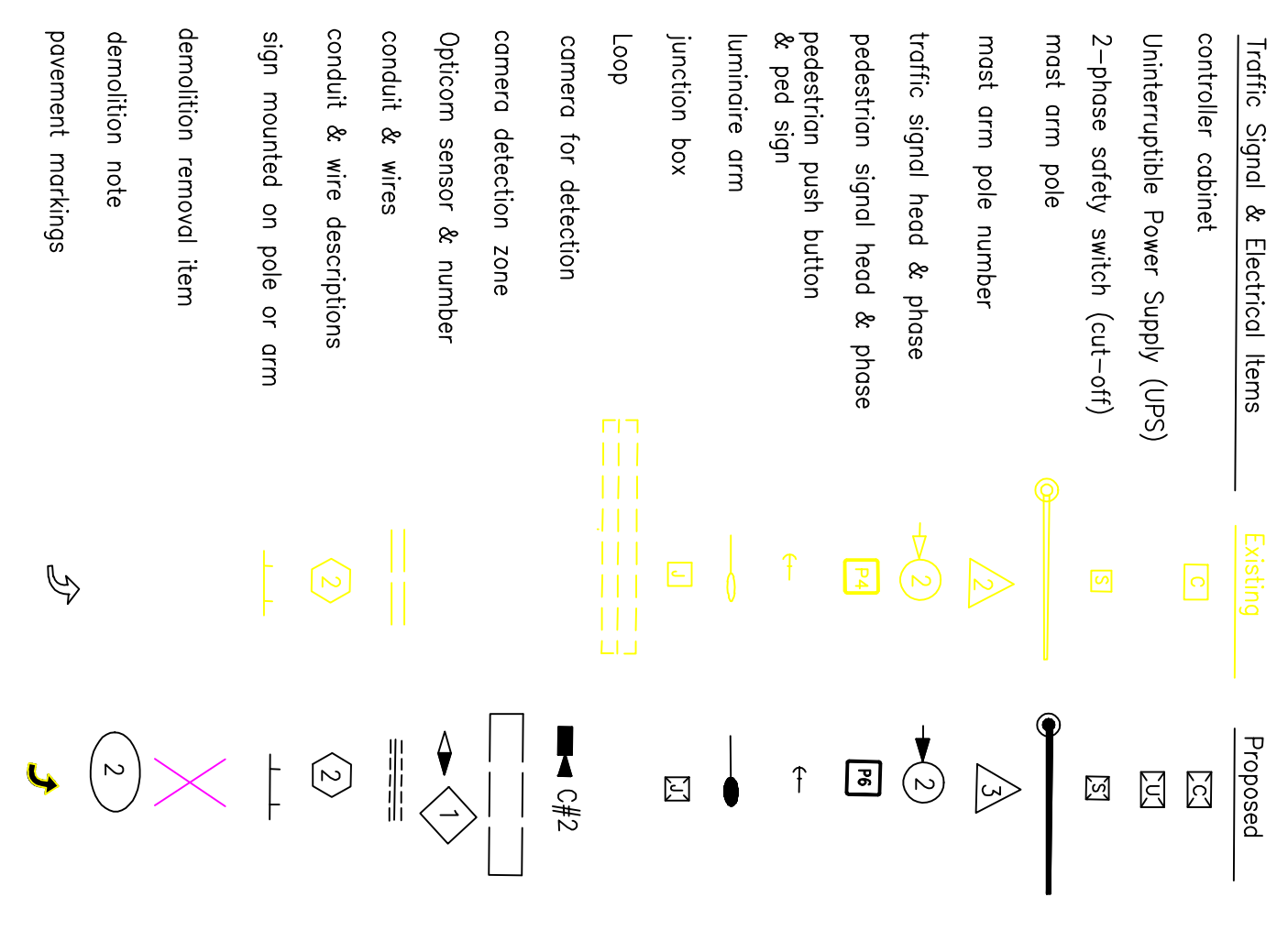


All Signal Heads shall have 12" lenses with backplates & tunnel visors. All indications shall be LED.

Contact "Miss Utility" 48 hours before construction for utility locations.

See Mast Arm Pole Details for Elevations.

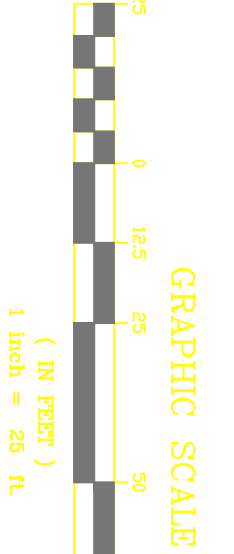
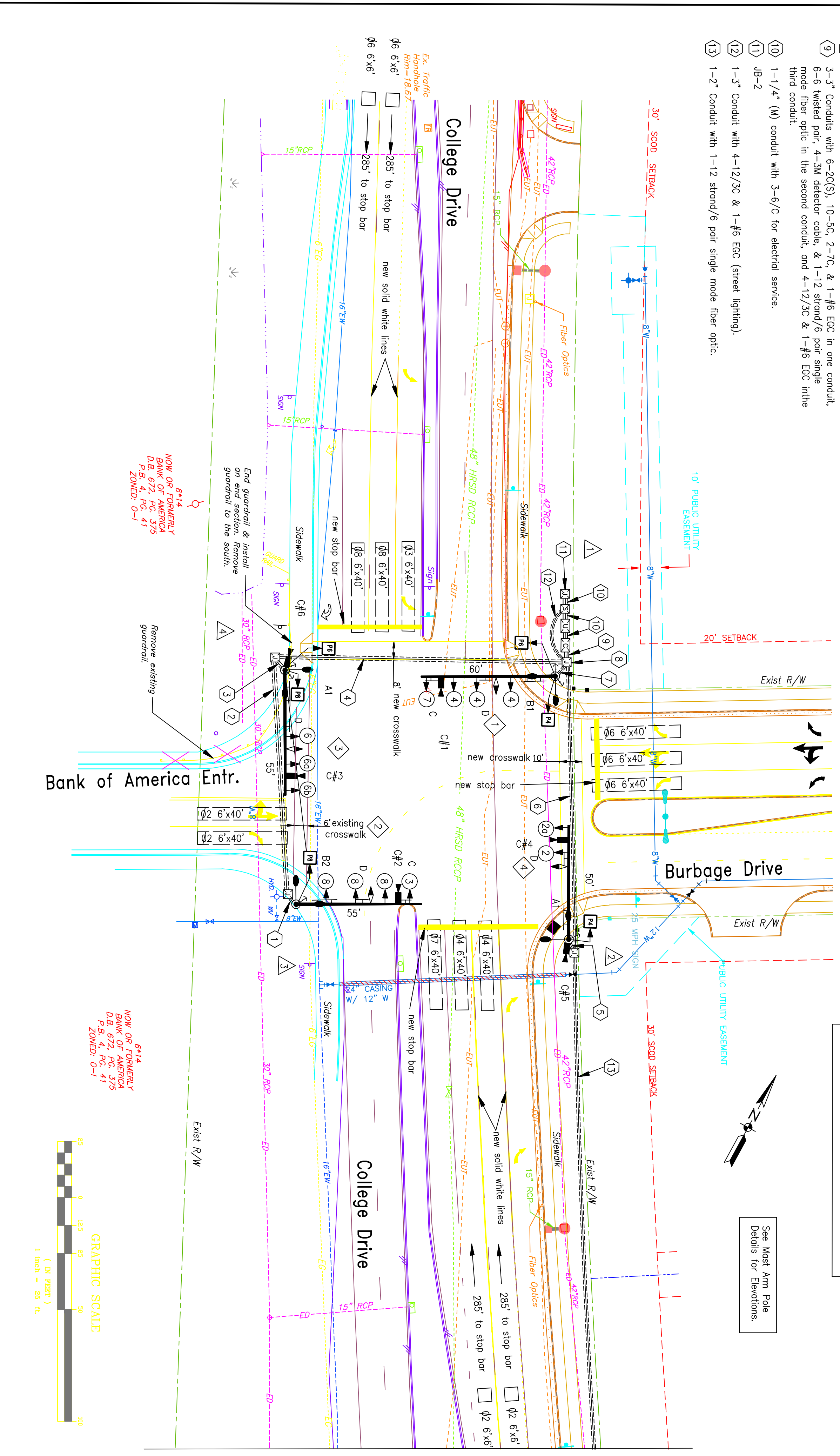
Traffic Legend



Color Sequence Chart

Signal Head	Phasing	Sequence		Clearance	
		Phase	R/W	1	2
1	3-7	4-7	6	2	
2	4-7	6	2		
3	6	2			
4	2				
5	2				
6	2				
7	2				
8	2				
P4	W	W	W	W	W
P6	W	W	W	W	W
P8	W	W	W	W	W

Empty box denotes Red Signal Head indication or Do Not Walk (DNW) pedestrian head indication. The count down (CD) for pedestrian heads is included in the Work (W) phase.



College Drive, Burbage Drive, & Bank of America

Traffic Signal Plan

Bryant B. Goodloe, P.C.
8809 Adams Drive East
Suffolk, VA 23435
(757) 238-5535

DATE: 02-13-09
SCALE: 1" = 25'
SHEET: T-1

REVISION: City Traffic Engineer's comments of 02-24-09.

DATE: 03-06-09
APPROVED: BBO